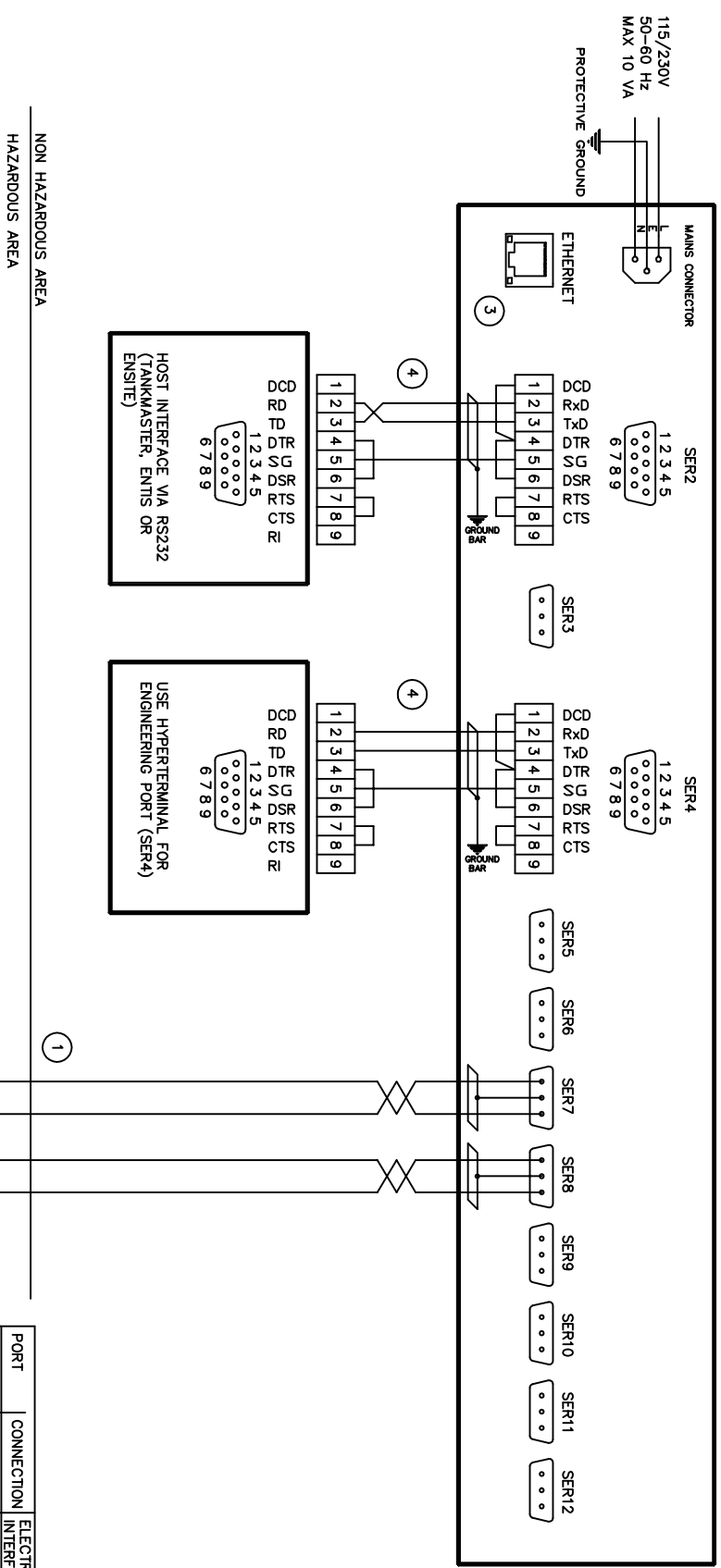


THIS IS AN EXAMPLE OF CONNECTORS
 THE WIRING IS DEPENDENT ON PORT CONFIGURATION
 SER4 IS ALWAYS ENGINEERING PORT



NOTE1
 CUSTOMER SUPPLIED SINGLE TWISTED, PREFERABLY SHIELDED PAIR
 INDIVIDUAL SHIELDING IS MANDATORY WHERE TWO BUSES RUN ALONGSIDE.
 MIN. AWG 20 - 0.5 SQMM. THE TWO BUSES MAY BE INTERCHANGED.
 CABLE SHIELD SHOULD BE GROUNDED ONLY IN FCU2165

NOTE2
 PORT LOGICS

NOTE3
 ETHERNET - RJ 45 CONNECTOR FOR CONFIGURATION USE CROSSED CABLE

NOTE4
 MAX 30 M SHIELDED CABLE WITH FEMALE D-SUB CONNECTOR IN BOTH ENDS.
 (CUSTOMER SUPPLY)

PORT	CONNECTION	ELECTRICAL INTERFACE	BAUD RATE & COMMUNICATION SETTINGS
ETHERNET	RJ 45	ETHERNET	APPLICATION DEPENDENT
SER2	RJ 12	RS 232 *	MUST BE THE SAME AS FOR SER6
SER3	RJ 12	RS 232 *	APPLICATION DEPENDENT
SER4	RJ 12	RS 232 *	APPLICATION DEPENDENT
SER5	RJ 12	RS 232	MUST BE THE SAME AS FOR SER2
SER6	RJ 12	RS 232 *	MUST BE THE SAME AS FOR SER11
SER7	RJ 12	RS 232 *	MUST BE THE SAME AS FOR SER12
SER8	RJ 12	RS 232 *	APPLICATION DEPENDENT
SER9	RJ 12	RS 232	MUST BE THE SAME AS FOR SER7
SER10	RJ 12	RS 232	MUST BE THE SAME AS FOR SER8
SER11	RJ 12	RS 232	MUST BE THE SAME AS FOR SER8
SER12	RJ 12	RS 232	MUST BE THE SAME AS FOR SER8

* CAN ALSO BE CONFIGURED AS RS 422, RS485 OR OTHER ELECTRICAL INTERFACE USING THE CORRESPONDING ELECTRICAL INTERFACE DRIVE MODULE.

ISSUED BY	WEEK	PRODUCT CODE	FILE	INSTALLATION DRAWING TITLE
GSP-AJ	0542	REX	ACAD	EL INSTALLATION DRAWING
APPROVED BY	WEEK	ORIGINAL Dwg NO.	SCALE	FCU 2165
GSP-JC	05042	9261 020-021	-	
ROSEMOUNT		1 ST ANGLE	DOC TYPE	DWG NO.
Tank Gauging			2	9261 020-021
		ISSUE		SHEET
			3	1/1