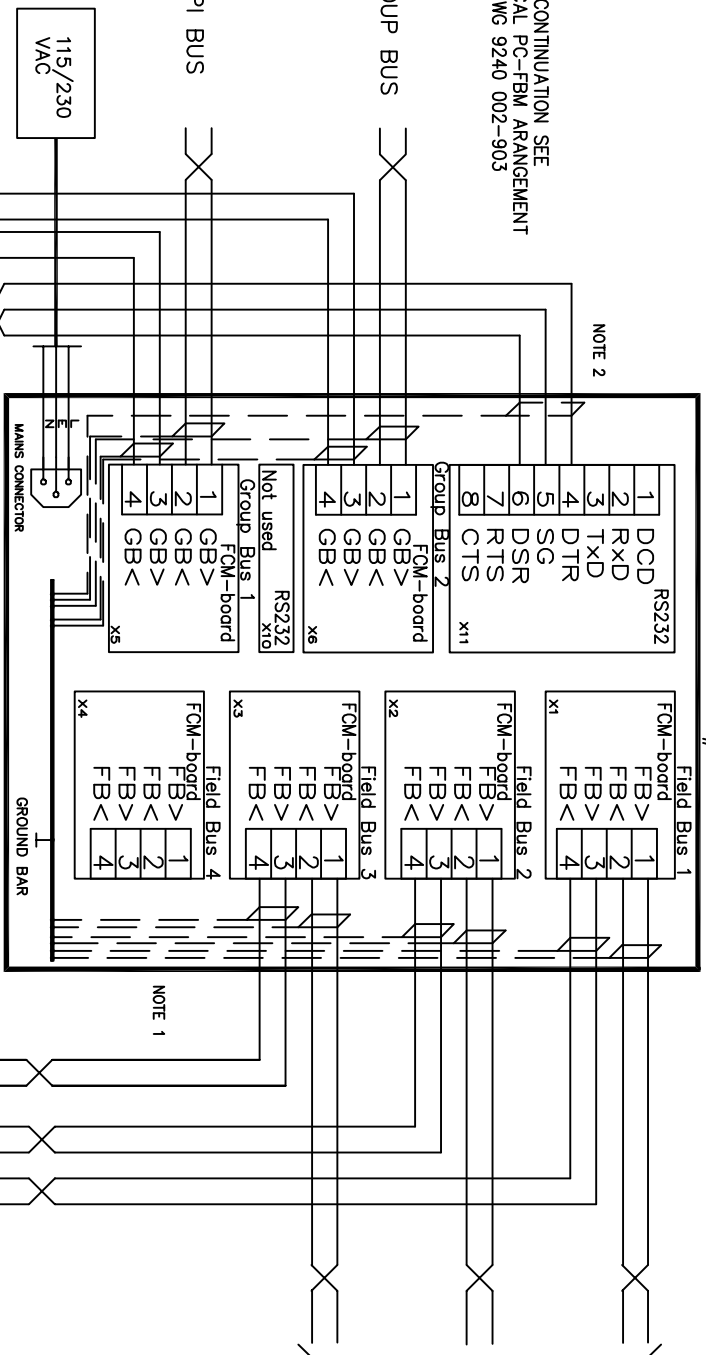


FOR CONTINUATION SEE
TYPICAL PC-FBM ARRANGEMENT
ON DWG 9240 002-903

FIELD COMMUNICATION UNIT #1

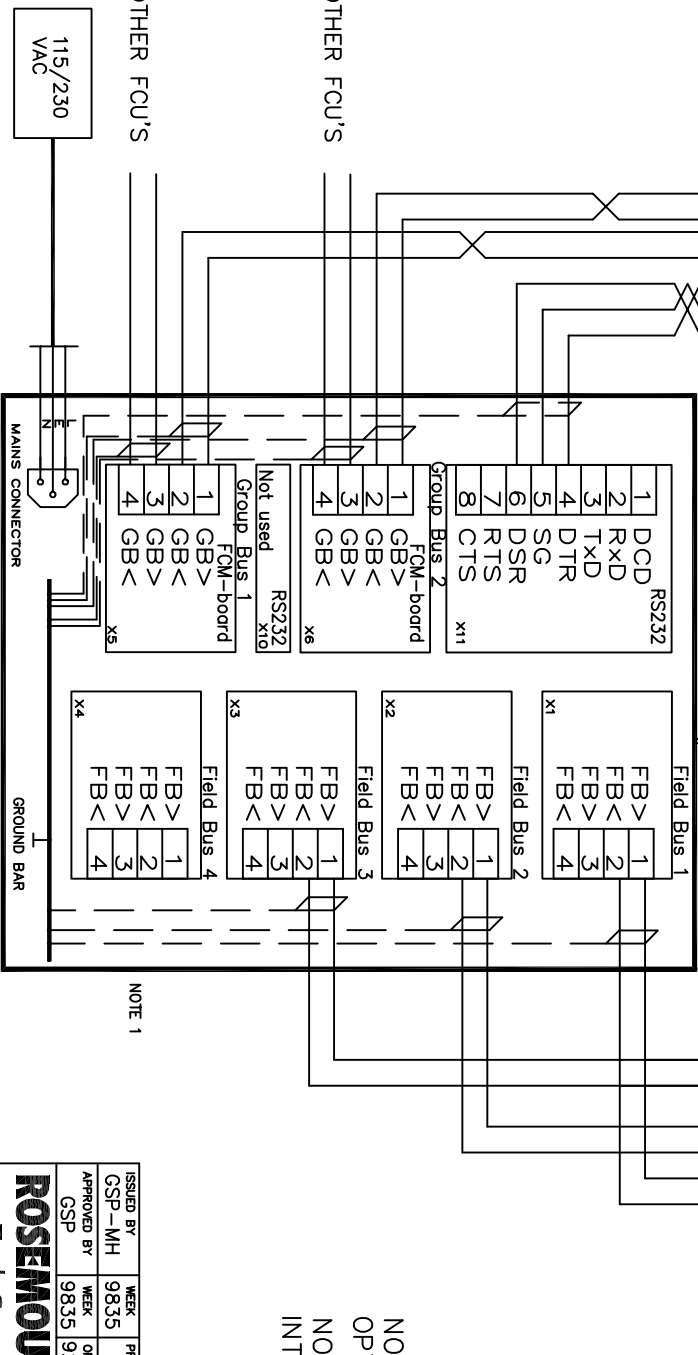


NOTE 2

FIELD BUSES TO RTG:S AND DAU:S

NOTE 1

FIELD COMMUNICATION UNIT #2



NOTE 1

NOTE 1
OPTIONAL TO BE USED FOR GROUP BUS 3.
NOTE 2
INTERNAL CONNECTION FOR REDUNDANT FUNCTION.

ISSUED BY	WEEK	PRODUCT CODE	FILE	INSTALLATION DRAWING TITLE
GSP-MH	9835	REX	ACAD	ELECTR. INST. DRAWING
APPROVED BY	WEEK	ORIGINAL DWG NO.	SCALE	REDUNDANT FCU CONNECTION
GSP	9835	9240 007-988	-	
ROSEMOUNT		1 ST ANGLE	DOC TYPE	DWG NO.
Tank Gauging			2	9240 007-988
				ISSUE SHEET
				3 1/1

THE COMPANY ASSUMES NO RESPONSIBILITY FOR THIS DOCUMENT IF ANY WILL BE USED WITHOUT OUR AUTHORIZATION OR SUBJECT TO THE KNOWLEDGE OF A THIRD PARTY. COMMUNICATION WILL BE PROSECUTED. ROSEMOUNT TANK GAUGING AB, SWEDEN.