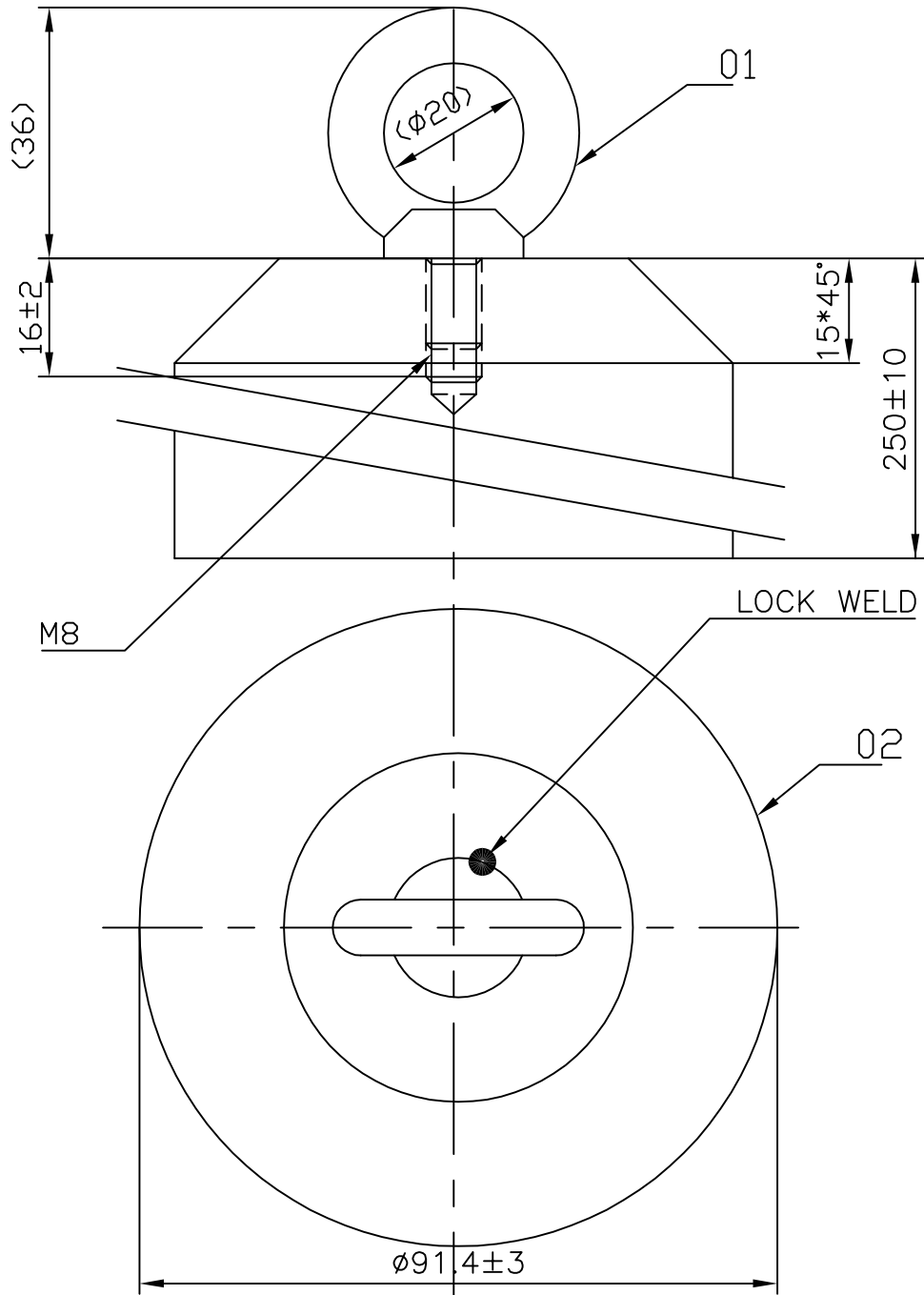


ISSUE	MODIF. ORDER NO.	WEEK	ISSUE	MODIF. ORDER NO.	WEEK	ISSUE	MODIF. ORDER NO.	WEEK
1	SME 1774	9820	2	SME-3116	0250	3	SME-5633	0712



03	SHACKLE	1	105-R M8 (AISI 316)
02	WEIGHT	1	SS2333
01	EYE BOLT	1	M8, SS2342 (AISI 316)
ITEM	DESIGNATION	QTY	TYPE, MATERIAL

9240 003-008	ISSUED BY GSP-MH	WEEK 9819	PRODUCT CODE REX		MATERIAL			
	APPROVED BY GKT	WEEK 9819	DOC. TYPE 0	FILE ACAD	TITLE TEMP. SENSOR WEIGHT 12 KG			
	ALL DIMENSIONS ARE IN MILLIMETRES. TOLERANCES, UNLESS OTHERWISE STATED: FOR MACHINING: ISO 2768 mK FOR CASTING: ISO 8062 CT10 FOR WELDING: SS-EN ISO 13920 A			FINISH, UNLESS OTHERWISE STATED: 25 ✓		DWG NO. 9240 003-008	ISSUE 3	SHEET 1/1
	ROSEMOUNT		1 ST ANGLE	SCALE	THE COPYRIGHT/OWNERSHIP OF THIS DOCUMENT IS AND WILL REMAIN OURS. THE DOCUMENT MUST NOT BE USED WITHOUT OUR AUTHORIZATION OR BROUGHT TO THE KNOWLEDGE OF A THIRD PARTY. CONTRAVENTION WILL BE PROSECUTED. ROSEMOUNT TANK RADAR AB, SWEDEN.			
				—				