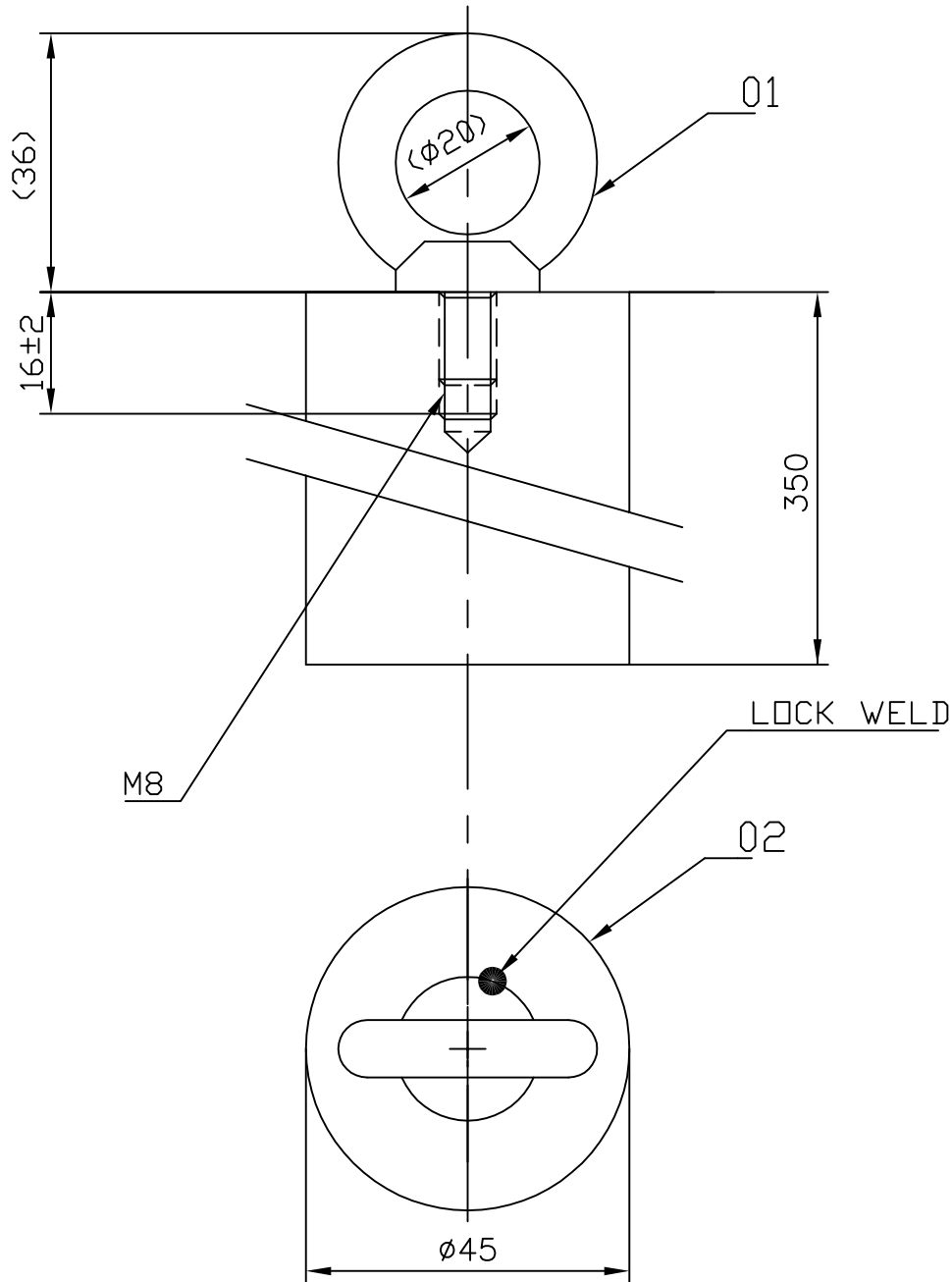


| ISSUE | MODIF. ORDER NO. | WEEK | ISSUE | MODIF. ORDER NO. | WEEK | ISSUE | MODIF. ORDER NO. | WEEK |
|-------|------------------|------|-------|------------------|------|-------|------------------|------|
| 1 | SME 1774 | 9820 | 2 | SME-3116 | 0250 | 3 | SME-5633 | 0712 |



| 03 | SHACKLE | 1 | 105-R M8 (AISI 316) |
|------|-------------|-----|-----------------------|
| 02 | WEIGHT | 1 | SS2333 |
| 01 | EYE BOLT | 1 | M8, SS2342 (AISI 316) |
| ITEM | DESIGNATION | QTY | TYPE, MATERIAL |

| | | | | | | | | | |
|--------------|--|--------------|---------------------|--|--|-------------------------|--|------------|--------------|
| 9240 003-007 | ISSUED BY GSP-MH | WEEK 9819 | PRODUCT CODE REX | | MATERIAL | | | | |
| | APPROVED BY GKT | WEEK 9819 | DOC. TYPE 0 | FILE ACAD | TITLE TEMP SENSOR WEIGHT 4 KG | | | | |
| | ALL DIMENSIONS ARE IN MILLIMETRES. TOLERANCES, UNLESS OTHERWISE STATED: FOR MACHINING: ISO 2768 mK FOR CASTING: ISO 8062 CT10 FOR WELDING: SS-EN ISO 13920 A | | | FINISH, UNLESS OTHERWISE STATED: 25 ✓ | | DWG NO. 9240 003-007 | | ISSUE 3 | SHEET 1/1 |
| | ROSEMOUNT | | 1 ST ANGLE | SCALE | THE COPYRIGHT/OWNERSHIP OF THIS DOCUMENT IS AND WILL REMAIN OURS. THE DOCUMENT MUST NOT BE USED WITHOUT OUR AUTHORIZATION OR BROUGHT TO THE KNOWLEDGE OF A THIRD PARTY. CONTRAVENTION WILL BE PROSECUTED. ROSEMOUNT TANK RADAR AB, SWEDEN. | | | | |
| | | | | | | | | | |