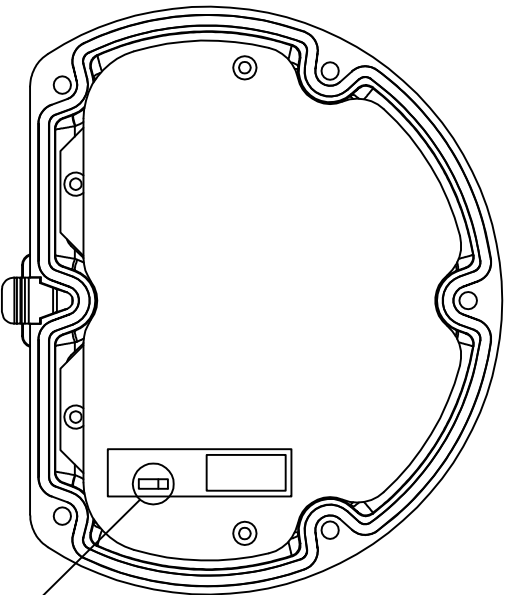


COVER  
BACK VIEW

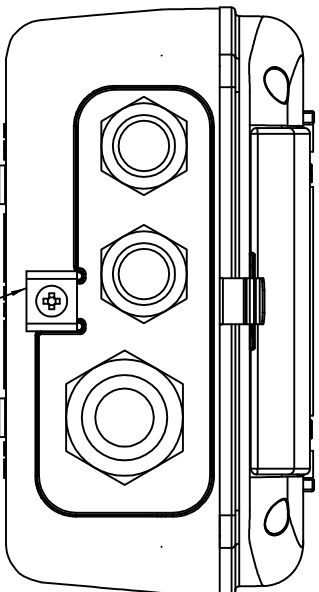


(SEE NOTE 3)

POS. 2  
POS. 1

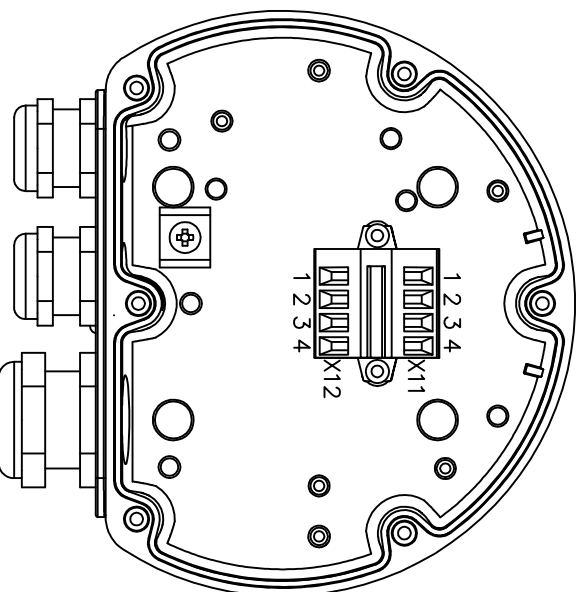
IMPORTANT!  
HANDLE OPEN COVER WITH CARE TO PREVENT DAMAGE ON DISPLAY CABLING.  
TIGHTEN THE COVER SCREWS CROSSWISE TO PREVENT LEAKAGE FROM COVER SEAL.

INTRINSICALLY SAFE  
BOX REMOTE  
BOTTOM VIEW



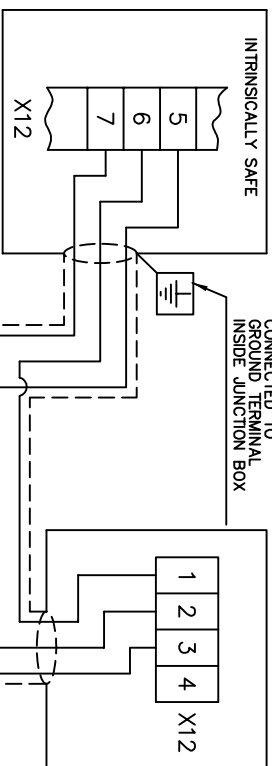
EARTH CLAMP  
FOR CABLE AREA 4 SQMM  
STAINLESS SCREW M4X12  
(SEE NOTE 7)

BOX REMOTE  
STANDARD



CONNECTION RB40  
X11: 1 - D+ (RED)  
X11: 2 - D- (BLUE)  
X11: 3 - DgND (BLACK)  
EXTERNAL CONNECTION  
X12: 1 - D+  
X12: 2 - D-  
X12: 3 - DgND

TANKRADAR REX  
INTRINSICALLY SAFE



CABLE SHIELD  
CONNECTED TO  
GROUND TERMINAL  
INSIDE JUNCTION BOX

- ① THE VOLTAGE IS INTERNALLY CLAMPED TO 5,88V.  
THE EQUIVALENT C AT U =12V IS C =0µF.
- ② ALL INCOMING CABLES MUST HAVE MIN 0,25 mm INDIVIDUAL INSULATION FOR VALID I.S. INSTALLATION.
- ③ TANK EARTH CONNECTION MIN 4 SQMM REQUIRED FOR INST. ACC. TO CENELEC.
- ④ SHIELDED CABLE RECOMMENDED FOR VALID EMC PERFORMANCE ACC. TO EN 50082-2.
- ⑤ ENCLOSURE IS EARTHED LOCALLY ON THE TANK FOR EXPLOSION PROTECTION AND ELECTRICAL SAFETY. A SEPARATE PROTECTIVE EARTH CONNECTION TO THE POWER DISTRIBUTION CENTRAL IS NOT RECOMMENDED UNLESS REQUIRED BY NATIONAL AUTHORITIES. A GROUND LOOP WITH CIRCULATING CURRENT MAY OCCUR.
- ⑥ THE REMOTE DISPLAY BOARD (RB 40.) CONSISTS OF ONE INTRINSICALLY SAFE CIRCUIT FOR CONTROLLING ONE LCD-MODULE.

DS/D+	P <sub>1</sub>	U <sub>1</sub>	I <sub>1</sub>	L <sub>1</sub>
	0,67W	12V	400mA	40mH

- ⑦ STRAP IN POS. 1 IS NORMAL. STRAP IN POS. 2 NIBATES THE ANSWER ON THE DISPLAY BUS. POS. 2 IS ONLY USED ON ONE OF TWO RDU'S WHEN THERE ARE TWO CONNECTED ON THE DISPLAY BUS.
- ⑧ OPTIONAL CONNECTION IS BY MAX 100 M SHIELDED CABLE. MIN AWG 20 OR MIN 0,5 SQMM (CUSTOMER SUPPLY).
- ⑨ FOR VALID EMC PERFORMANCE SHALL THE CABLE SHIELD BE CIRCULAR CONNECTED INSIDE THE CABLE GLANDS.

ISSUED BY	WEEK	PRODUCT CODE	TITLE	INSTALLATION DRAWING TITLE
GU-HF	0307	PRO/5600	IDEAS/ACAD	ELECTRICAL INSTALLATION DWG
APPROVED BY	WEEK	ORIGINAL DWG NO.	SCALE	
GST-TK	0307	9150074-922		RDU 40 - REX
1 <sup>ST</sup> ANGLE	DOC TYPE	DWG NO.	ISSUE	SHEET
	2	9150074-922	3	1/1

**ROSEMOUNT**  
Tank Gauging

THE COMPANY ASSUMES NO RESPONSIBILITY FOR THE DOCUMENT IF AND ONLY IF, WITHOUT OUR AUTHORIZATION OR CONSENT, IT IS REPRODUCED, COPIED, TRANSMITTED, OR USED FOR ANY OTHER PURPOSE. THE COMPANY ASSUMES NO RESPONSIBILITY FOR THE DOCUMENT IF AND ONLY IF, WITHOUT OUR AUTHORIZATION OR CONSENT, IT IS REPRODUCED, COPIED, TRANSMITTED, OR USED FOR ANY OTHER PURPOSE. ROSEMOUNT TANK RADAR AB, SWEDEN.