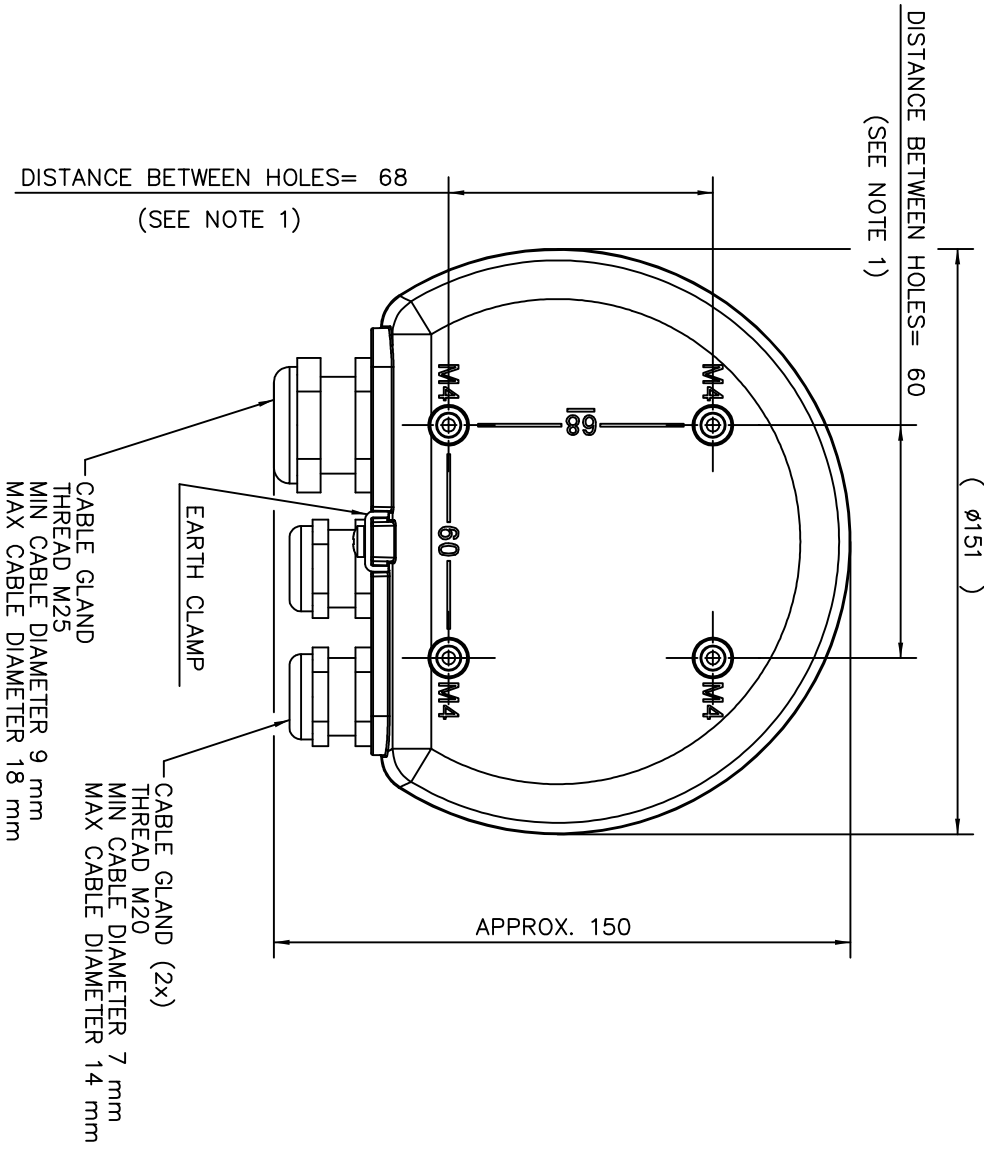
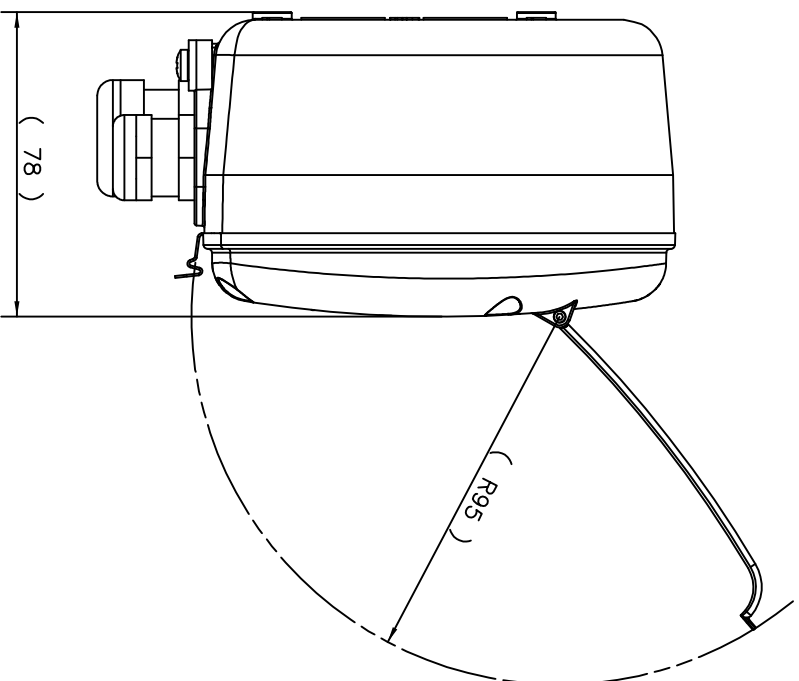


# BOX REMOTE BACK VIEW



# BOX REMOTE SIDE VIEW



- ① DRILL PATTERN FOR MOUNTING OF THE DISPLAY UNIT AT PLATE SUPPLIED BY CUSTOMER. FOUR M4 SCREWS ARE REQUIRED. MAXIMUM DEPTH OF HOLES IS 10mm. 4 PCS M4X12 SUPPLIED BY RTR.

ISSUED BY	WEEK	PRODUCT CODE	REV	INSTALLATION DRAWING TITLE
GU-CK	0020	PRO/5600	IDEAS/ACAD	MECHANICAL INSTALLATION DWG
APPROVED BY	WEEK	ORIGINAL DWG NO.	SCALE	2210 DISPLAY UNIT / RDU 40
GST-TK	0020	9150074-921	-	
<b>ROSEMOUNT</b>				
1 ST ANGLE				
2				
9150074-921				
ISSUE SHEET				
3 1/1				

THE COPYRIGHT/OWNERSHIP OF THIS DOCUMENT IS AND WILL REMAIN OURS. THE DOCUMENT MUST NOT BE USED WITHOUT OUR AUTHORIZATION OR BROUGHT TO THE KNOWLEDGE OF A THIRD PARTY. CONTRAVENTION WILL BE PROSECUTED. ROSEMOUNT TANK RADAR AB, SWEDEN.