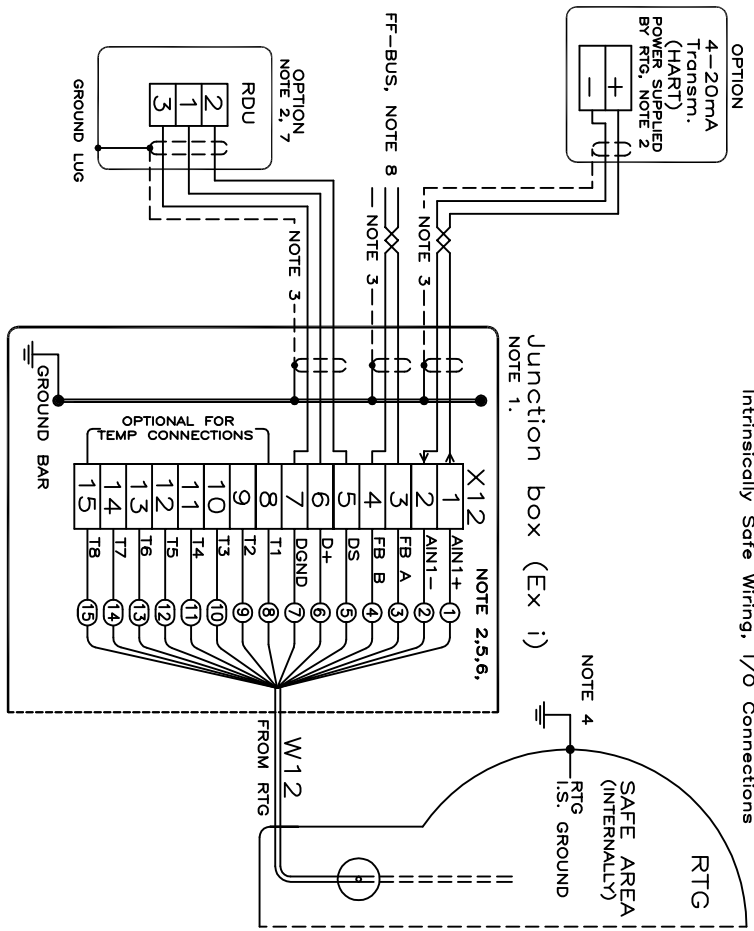


RDU, ANALOG INPUT AND FF (FOUNDATION FIELDBUS) CONNECTION

Intrinsically Safe Wiring, I/O Connections



③ FF-BUS: POLARITY INDEPENDENT. CABLE AND INSTALLATION ACC TO FOUNDATION FIELDBUS RECOMMENDATIONS. FF-BUS CURRENT CONSUMPTION=12.5mA.

FB A/FB B	U _i	P _i	I _i	C _i	L _i
	30V	1.3W	300mA	0.1μF	0mH

⑦ OPTIONAL CONNECTION IS BY MAX 50 M SHIELDED CABLE, MIN AWG 20 OR 0.5 SQMM.

⑧ THE TRANSMITTER INTERFACE CARD (TIC) OPTION CONSISTS OF ONE INTRINSICALLY SAFE SUPPLY CIRCUIT (AIN1+) AND ONE INTRINSICALLY SAFE INPUTS (AIN1-), AND DISPLAY CONNECTION. SUPPLIES AND INPUTS ARE GROUND REFERENCED.

AIN1+/AIN1-	U _M	F _O	U _O	I _O	C _O	L _O
	250V	0.6W	25.2V	96mA	0.11μF	4mH
DS/D+	250V	0.67W	11.8V	271mA	1.5μF	0.37mH

- ⑤ EXTERNAL WIRING CONSISTS OF UP TO FOUR SEPARATE I.S. CIRCUITS. WIRES BELONGING TO DIFFERENT I.S. CIRCUITS MAY SHARE THE SAME CABLE, PROVIDED THEY ARE SEPARATED BY INDIVIDUAL SHIELDS CONNECTED TO GROUND. SEPARATE CABLES MUST BE USED IN INSTALLATIONS ACC. TO CSA.
- ④ TANK EARTH CONNECTION MIN 4 SQMM REQUIRED FOR INST. ACC TO CENELEC.
- ③ SHIELDED CABLE RECOMMENDED FOR VALID EMC PERFORMANCE ACC TO EN 50082-2. SHIELD CONNECTION ONLY AT ONE END OTHERWISE A GROUND LOOP WITH CIRCULATING CURRENT MAY OCCUR.
- ② IF INTRINSIC SAFETY IS REQUIRED FOR ANY ONE OF THE CONNECTED DEVICES, THEN ALL CONNECTED DEVICES MUST BE CERTIFIED INTRINSICALLY SAFE AND COMPLY WITH THE TABLE (NOT 6 AND 9).
- ① JBI (Junction Box Integrated) Ex i/ WIRE TERMINAL (X12) AWG 28-16 OR 0.08-1.5 SQMM. OPTIONAL: 2.5m FLYING LEADS FOR EXTERNAL JUNCTION BOX (CUSTOMER OR RTR SUPPLY) DEPENDING ON NATIONAL CODE OF PRACTICE.

ISSUED BY	WEEK	PRODUCT CODE	TITLE	INSTALLATION DRAWING TITLE
GU-HF	0332	REX	ACAD	ELECTRICAL INSTALLATION DWG, REX
APPROVED BY	WEEK	ORIGINAL DWG NO.	SCALE	
GU-LN	0332	9150072-942	1:1	
ROSEMOUNT		DOC TYPE	DWG NO.	ISSUE SHEET
Tank Gauging		2	9150072-942	3 1/1

THE CUSTOMER/USER OF THIS DOCUMENT IS SOLELY RESPONSIBLE FOR THE PROPER USE OF THIS DOCUMENT. ROSEMOUNT TANK GAUGING IS NOT BE USED WITHOUT OUR AUTHORIZATION OR SUBJECT TO THE KNOWLEDGE OF A THIRD PARTY. COMMUNICATION WILL BE PROSECUTED. ROSEMOUNT TANK GAUGING AB, SWEDEN.