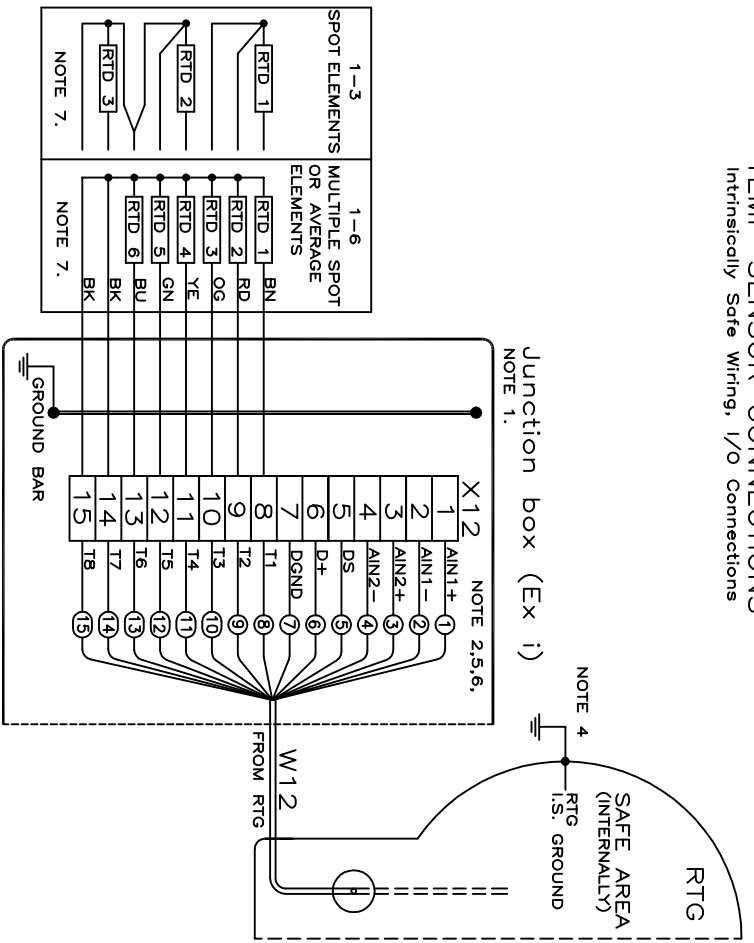


TEMP SENSOR CONNECTIONS

Intrinsically Safe Wiring, I/O Connections



- ⑦ FOR CHANGE OF CONFIGURATION (SENSOR TYPE) SEE INSTALLATION MANUAL.
 - ⑥ THE TEMPERATURE MULTIPLEXER CARD (TMC) OPTION CONSISTS OF ONE INTRINSICALLY SAFE CIRCUIT FOR CONNECTION OF UP TO SIX RESISTANCE TEMPERATURE DETECTORS (SIMPLE APPARATUS).
- | | | | | | | |
|-------|----------------|----------------|----------------|----------------|----------------|----------------|
| T1-T8 | U _M | P ₀ | U ₀ | I ₀ | C ₀ | L ₀ |
| | 250V | 0.3W | 5.9V | 179mA | 43uF | 0.7mH |

- ⑤ EXTERNAL WIRING CONSISTS OF UP TO FOUR SEPARATE I.S. CIRCUITS. WIRES BELONGING TO DIFFERENT I.S. CIRCUITS MAY SHARE THE SAME CABLE, PROVIDED THEY ARE SEPARATED BY INDIVIDUAL SHIELDS CONNECTED TO GROUND. SEPARATE CABLES MUST BE USED IN INSTALLATIONS ACC. TO CSA.
- ④ TANK EARTH CONNECTION MIN 4 SQMM REQUIRED FOR INST. ACC TO CENELEC.
- ③ SHIELDED CABLE RECOMMENDED FOR VALID EMC PERFORMANCE ACC TO EN 50082-2. SHIELD CONNECTION ONLY AT ONE END OTHERWISE A GROUND LOOP WITH CIRCULATING CURRENT MAY OCCUR.
- ② IF INTRINSIC SAFETY IS REQUIRED FOR ANY ONE OF THE CONNECTED DEVICES, THEN ALL CONNECTED DEVICES MUST BE CERTIFIED INTRINSICALLY SAFE AND COMPLY WITH THE TABLE (NOT 6).
- ① JBI (Junction Box Integrated) Ex i / WIRE TERMINAL (X12) AWG 28-16 OR 0.08-1.5 SQMM OPTIONAL. 2.5m FLYING LEADS FOR EXTERNAL JUNCTION BOX (CUSTOMER OR RTR SUPPLY) DEPENDING ON NATIONAL CODE OF PRACTICE.

ISSUED BY	WEEK	PRODUCT CODE	TITLE	INSTALLATION DRAWING TITLE
GU-HF	0114	REX	ACAD	ELECTRICAL INSTALLATION DWG, REX
APPROVED BY	WEEK	ORIGINAL DWG NO.	SCALE	TEMP SENSOR CONNECTION, W12/X12
GU-LN	0114	9150072-941	1:1	
ROSEMOUNT		1 ST ANGLE	DOC TYPE	DWG NO.
Tank Gauging			2	9150072-941
		ISSUE	SHEET	
		3	1/1	

THE CUSTOMER/USER OF THIS DOCUMENT IS SOLELY RESPONSIBLE FOR THE CORRECT USE AND NOT BE USED WITHOUT OUR AUTHORIZATION OR SUBJECT TO THE KNOWLEDGE OF A THIRD PARTY. COMMUNICATION WILL BE PROSECUTED. ROSEMOUNT TANK GAUGING AB, SWEDEN.